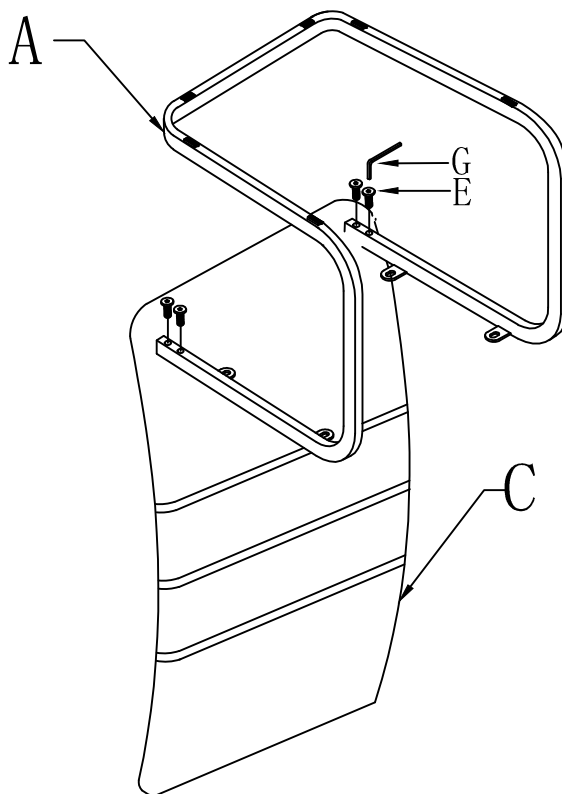
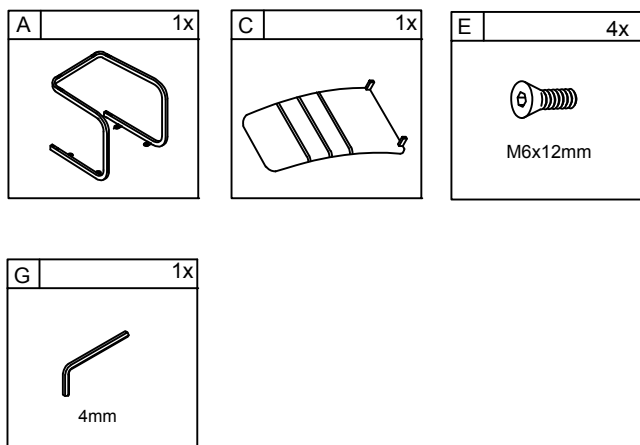


# 1



# 2

